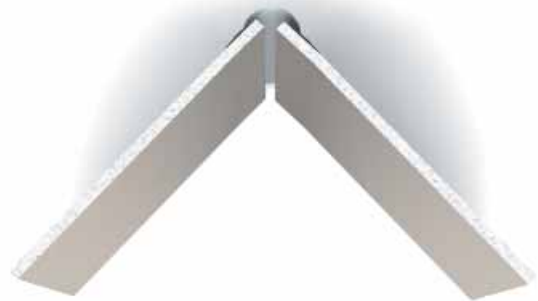
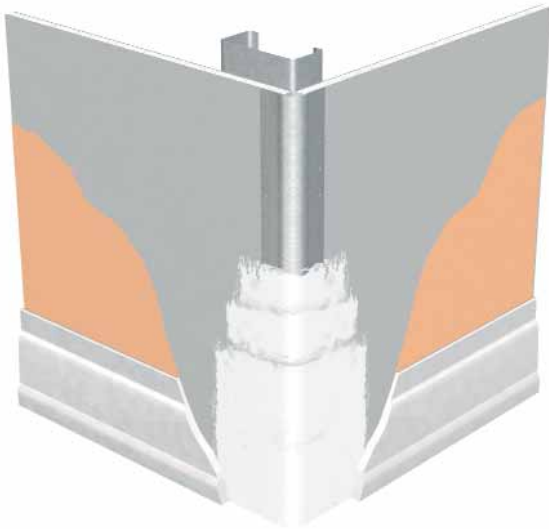


Creates elegant rounded outside drywall corners.

- Clinch-On Products, Co. provides premium, high-quality finishing beads and trims.
- Sturdy metal reinforcement for smooth, rounded drywall corners.
- Hot-dipped galvanized coating resists corrosion.
- Generous 3/4" flange enables nail, screw or adhesive application.



Clinch-On Products, Co.
Hot-Dipped Bullnose



Hot-dipped bullnose corner bead provided by Clinch-On Products, Co. is used to create a smooth, rounded look to standard drywall corners. Bullnose adds contemporary styling and a sense of openness to any room. The hot-dipped finish provides superior corrosion resistance.

Gypsum board panels must be cut back 3/4" to accommodate the bullnose radius and ensure a flush fit. Bullnose bead is nailed, screwed or stapled in place and finished with joint compound.

Bullnose to 90° Transition Caps are available to provide a smooth transition to baseboard or crown molding. They install quickly and easily and can be used with metal, vinyl or paper-faced bullnose corner bead.



Clinch-On Products, Co. Hot-Dipped Bullnose (CBBC)

| DMF Product Code | Size | | | | Weight/Carton | | Packaging | |
|-------------------------|--------|----|--------|------|---------------|------|------------|-------------|
| | Radius | | Length | | lbs | kg | Pcs/Carton | Carton/Skid |
| | Inches | mm | ft-in | m | | | | |
| CBBC Hot-Dipped (shiny) | 3/4 | 19 | 6-0 | 1.83 | 26.4 | 12.0 | 40 | 32 |
| | | | 6-9 | 2.06 | 29.7 | 13.5 | 40 | 32 |
| | | | 6-10 | 2.08 | 30.1 | 13.7 | 40 | 32 |
| | | | 7-0 | 2.13 | 30.8 | 14.0 | 40 | 32 |
| | | | 8-0 | 2.44 | 35.2 | 16.0 | 40 | 32 |
| | | | 9-0 | 2.74 | 39.6 | 18.0 | 40 | 32 |
| | | | 10-0 | 3.05 | 44.0 | 20.0 | 40 | 32 |
| | | | 12-0 | 3.66 | 52.8 | 23.9 | 40 | 32 |

Not available in all geographical areas.